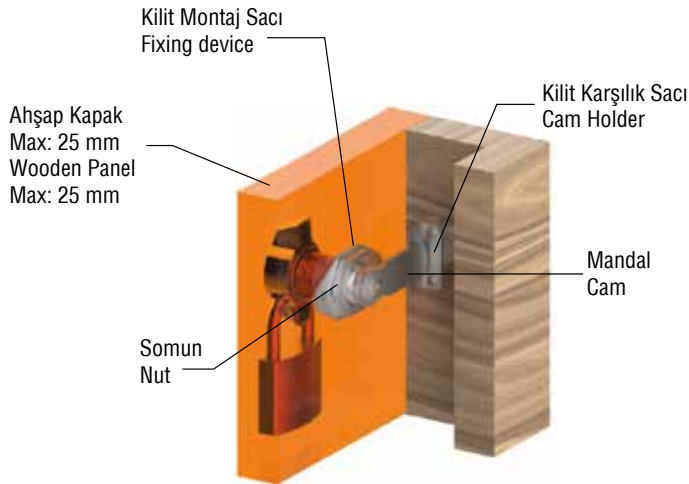
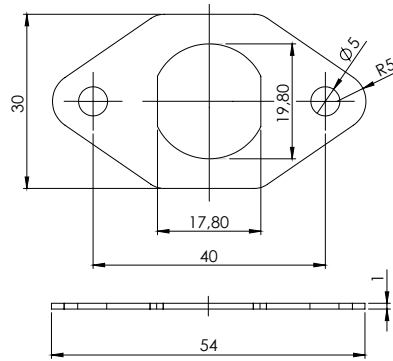
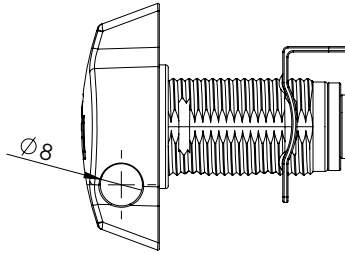
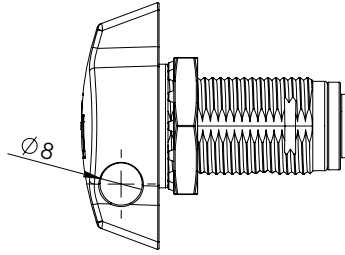
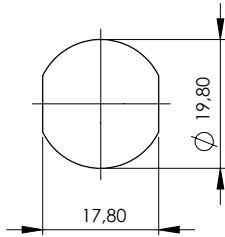
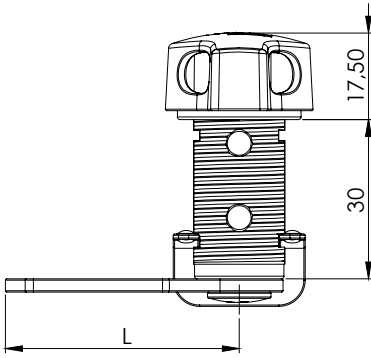
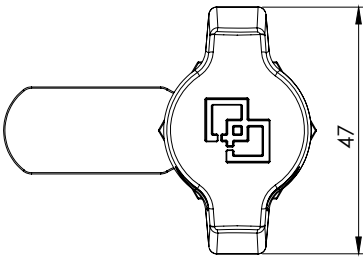


L / R

Asmalı Mandallı Kilit / Padlockable Wing Knob

108-30



VERSION

V1



SOMUNLU / FIXED BY NUT

VERSION

V2



KLİPSLİ / FIXED BY CLIPS

108-30M



KİLİT MONTAJ SACI / FIXING DEVICE

KULLANIM ALANLARI:

Çelik Dolap, Ahşap Dolaplar,
Elektrik Panoları, Makine Kapakları

APPLICATIONS:

Steel Drawers, Wooden Cupboard,
Electric Panels, Machinery Covers

| | | | |
|-------------|---------|-------------------|------------|
| Kod Code | Version | Yüze Finishing | Dil Cam |
| 108-30 | V | F | CM |

L/R

→ Sağ / Right
→ Sol / Left

| YÜZEY / FINISHING | CODE |
|--------------------------------------|------|
| Krom Kaplama / Chrome Plated | 1 |
| Siyah Toz Boya / Black Powder Coated | 2 |

| DİLLER / CAMS (CM) | | | | | | | | | | |
|--------------------|-----|-----|-----|-----|-----|-----|-----|-----|-----|-----|
| CODE | 011 | 013 | 014 | 016 | 029 | 056 | 057 | 062 | 065 | 034 |
| H | 8 | 0 | 4 | 0 | -10 | 4 | 5 | -6 | 5 | 0 |
| L | 50 | 44 | 42 | 54 | 48 | 52 | 77 | 52 | 85 | 36 |

MALZEME / MATERIAL

| | |
|------------------|-------------------|
| KOVAN HOUSING | Zamak Zinc Die |
| KELEBEK KNOB | Zamak Zinc Die |
| SOMUN NUT | Zamak Zinc Die |
| DİL CAM | Çelik Steel |