

KOLLU PANO KİLİTLERİ

SWING HANDLES

003-1

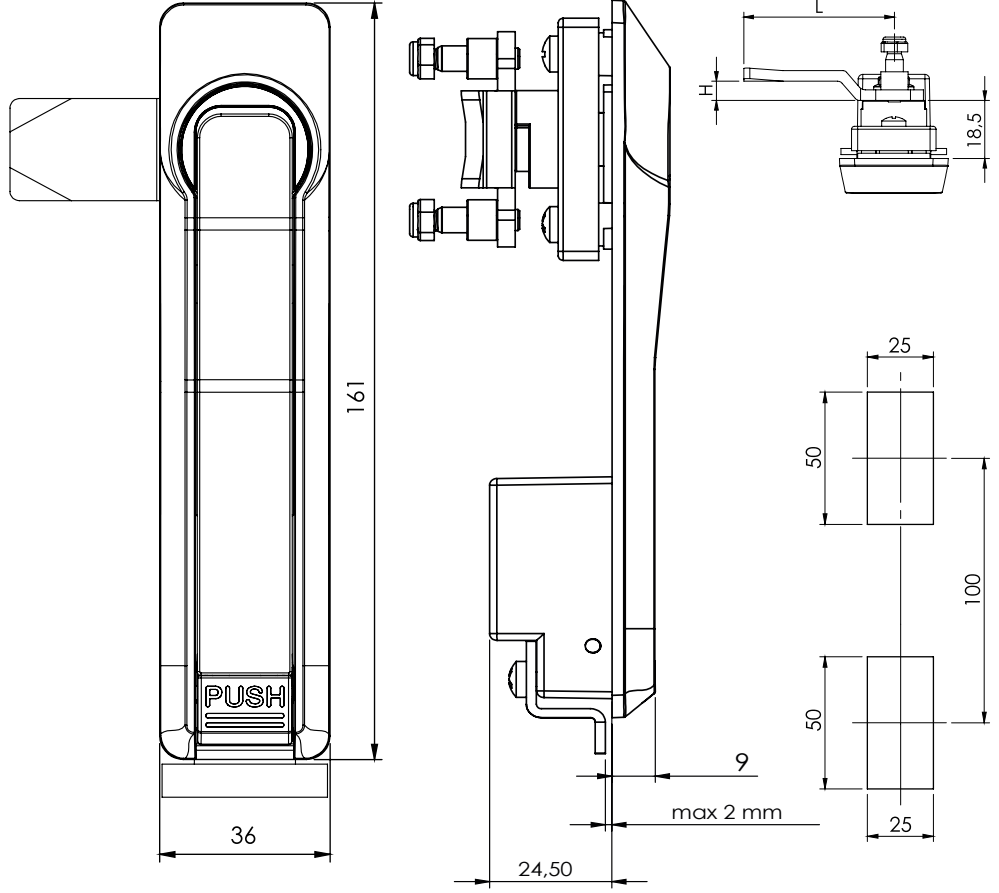
Kollu Pano Kilidi / Swing Handle

IP65

L / R



Asma Kilit
Padlock Device Selectable



KULLANIM ALANLARI:

Elektrik Panoları, Makine Kapakları,
Bilgisayar Kabinleri

APPLICATIONS:

Electric Panels, Machinery Covers,
Rack Cabinets

Kod Code	Gövde Body	Kol Handle	Dil Cam	Asma Kilit İçin Padlock Device
003-1	2	1 F	CM	A

Yüzey / Finishing
Malzeme / Material
Malzeme / Material

MALZEME / MATERIAL	
GÖVDE BODY	Poliamid Polyamide
KOL HANDLE	Zamak Zinc Die
DİL CAM	Çelik Steel
CONTA SEAL	Poliüretan Polyurethane

MALZEME / MATERIAL	CODE
Zamak / Zinc Die	1
Poliamid / Polyamide	2

YÜZEY / FINISHING	CODE
Krom Kaplama / Chrome Plated	1
Siyah Toz Boya / Black Powder Coated	2

İŞP. TIRNAKLI DİLLER / CAMS FOR ROD CONTROL (CM)						
CODE	03	020	053	054	055	064
H	8	0	0	12	4	0
L	49	51	60	54	52	55

TIRNAKLI DİLLER / CAMS WITH STOPPER (CM)														
CODE	01	02	05	06	07	08	09	010	019	043	045	046	086	
H	14	24	0	16	6	12	0	7	0	0	4	10	6	
L	48	48	46	46	52	50	54	44	64	44	43	48	62	